

Built to Perform in High Heat
and High Vibration Areas

Easy to Scale Up or Down
Within the Hardware Family

Features Universal Inputs and
Flexible Proportional Outputs

Open/Short Circuit Protection
and Overcurrent Protection



FLEXIBLE CONTROLLER FOR HARDWORKING EQUIPMENT

Part of the complete series of scalable uControl™ mobile controllers, the MC2-18-6 offers high performance fluid power control. Featuring multiple CAN interfaces, open/short circuit protection, and flexible universal inputs, MC2-18-6 controllers deliver extreme durability with precision control for any job.

Simplify your equipment control using reliable, software selectable, universal outputs with feedback. The MC2-18-6 controller works great with extended low voltage operation and also provides short circuit and overload protection. MC2-18-6 controllers feature a rugged IP69K-sealed aluminum enclosure with gel potting that allows it to

be mounted where you need it, including high-heat and high-vibration areas like in engine compartments or on attachments.

FLEXIBLE PROGRAMMING OPTIONS



CODESYS

Advanced programming environment with support for structured text, ladder logic, and block diagrams.

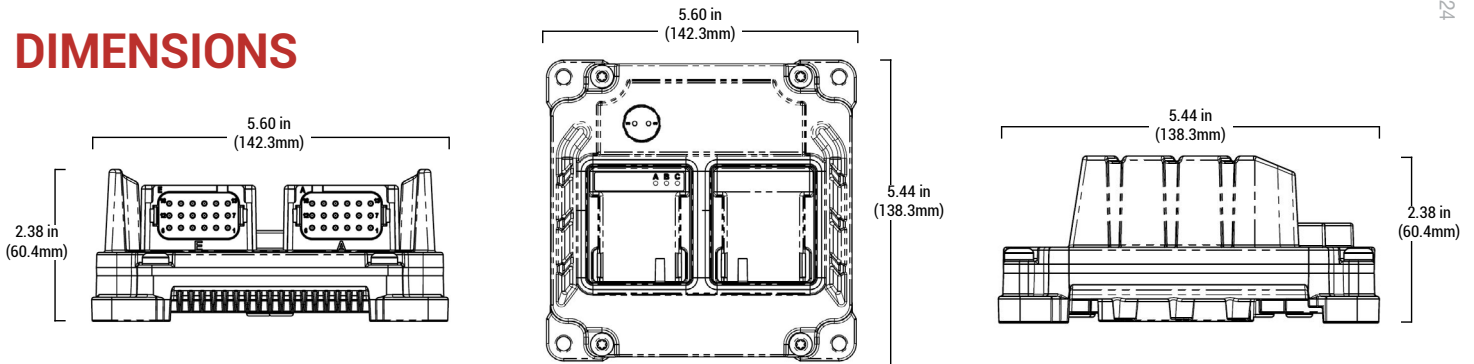
IP 69K **CE** **e-Mark** **ISO-13766**
REACH / RoHS

ENOVATIONCONTROLS.COM/MC2-18-6

uControl™ MC2-18-6

2210001 02-2024

DIMENSIONS



PRODUCT SPECIFICATIONS

18 INPUTS

UNIVERSAL ANALOG / HIGH FREQUENCY	4
UNIVERSAL ANALOG	14

6 OUTPUTS (SOFTWARE SELECTABLE)

4A PWM (FEEDBACK)	2
DUAL-RANGE PWM 4A / 0.5 A (FEEDBACK)	4

HARDWARE

CAN 2.0B / J1939	2 Channels
SENSOR SUPPLY	(2) 400mA max @ 5 or 10 VDC [Software Selectable Voltage]
CONNECTORS	J1 (18 pin - E key) - DT16 - 18SE-K004 J2 (18 pin - B key) - DT16-18SB-K004
LED INDICATORS	(1) Green - Power Status (1) White - Software Configurable (1) Blue - Software Configurable
DIMENSIONS	5.60 x 5.44 x 2.38 in (142.3 x 138.3 x 60.4 mm)

POWER SUPPLY

SUPPLY VOLTAGE	6-32 VDC, Nominal Operation @ 12 /24 VDC
PEAK SUPPLY VOLTAGE	Power supply suppression limits voltage to 55 Volts for duration of Load Dump Event
MAXIMUM CONTINUOUS CURRENT	24A
IDLE CURRENT 12/24 VDC	< 200mA @ 12VDC < 100mA @ 24VDC
STANDBY CURRENT 12/24 VDC	< 5mA @ 12VDC < 2.5mA @ 24VDC
SLEEP PIN	Control sleep and wake functionality

ENVIRONMENTAL

OPERATING TEMPERATURE	-40° to +221°F (-40° to +105°C)
STORAGE TEMPERATURE	-40° to +257°F (-40° to +125°C)
OPERATING ALTITUDE	0 - 4000 meters
PROTECTION	IP67, IP69K with Protective Boot
VIBRATION	5.82 Grms, 8 hours per axis
SHOCK	±50G, 6ms
HOUSING	Cast aluminum housing, soft-gel potted for extreme ruggedness and durability
EMC/EMI	2014/30/EU (CE / E-MARK), CISPR 11, CISPR 25, EN 60945, EN 61000-4-2, EN 61326-1, SAE J1113-2, SAE J1113-4, SAE J1113-11, SAE J1113-12, SAE J1113-13, SAE J1113-21, SAE J1113-22, SAE J1113-26, SAE J1455

⚠ WARNING: This product may expose you to chemicals which are known to the State of California to cause cancer. For more information, go to www.P65Warnings.ca.gov.

FOR MODEL & PART INFORMATION

ENOVATIONCONTROLS.COM/MC2-18-6

FOR MANUAL & SUPPORT DOCUMENTS

SUPPORT.ENOVATIONCONTROLS.COM

FOR SUPPORT & WARRANTY

ENOVATIONCONTROLS.COM/SUPPORT

SALES CONTACT



CONTACT

✉ sales@novationcontrols.com
☎ +1 918.317.4100
www.novationcontrols.com

CORPORATE HEADQUARTERS

5311 S 122nd E Ave
Tulsa, Oklahoma, USA 74146
United States • United Kingdom • India • China



FM 28221 (Tulsa, OK-USA)
FM 29422 (UK)