

Versatile turnkey control panel provides familiarity across many applications

User configurable from the face of the panel

Rugged panel withstands dust, water and vibration

Compatible with electronic and mechanical engines



SUPERIOR TURNKEY PANEL OFFERS COMPLETE CONTROL, FAMILIARITY ACROSS APPLICATIONS

The PowerCore® TEC-10 panel provides full control of your engine including auto start/stop, auto throttling and display of engine parameters along with critical faults from the engine/application.

An incredibly versatile control panel, the TEC-10 allows parameters and settings to be changed directly from the front face or via a free PC configuration tool. Powerful flexibility allows for the same control panel to be used across a wide range of applications while providing operator consistency and familiarity.

The control panel features molded-in industry-standard connectors mating with Deutsch HDP series connectors and is compatible for use on the simplest mechanical engine to the most advanced, fully electronic Tier 4 engines.*

Designed as a plug-and-play solution, the TEC-10 panel is perfect for rental or industrial applications where I/O is needed and auto start or auto throttling is desired.

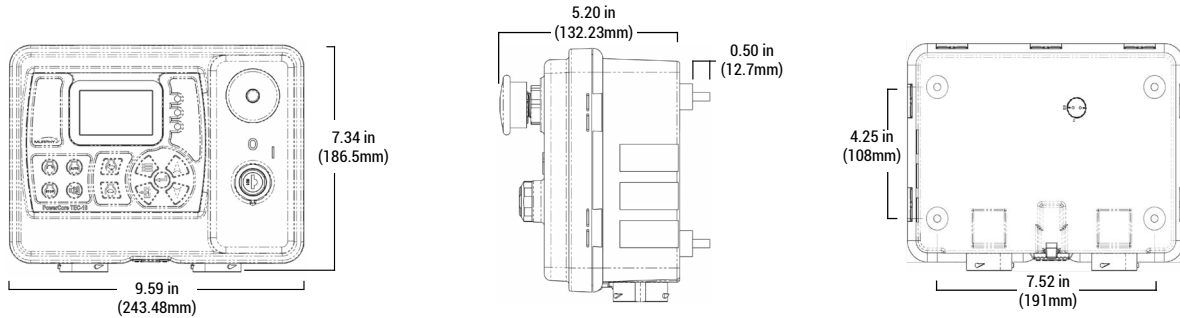
*Murphy Industrial Harness or John Deere OEM engine harnessing required



PowerCore[®] TEC-10

1511819 06-2019

TEC-10 DIMENSIONS



TEC-10 SPECIFICATIONS

DISPLAY	
SCREEN SIZE	2.7 inches
TYPE	Monochrome HR-TFT
RESOLUTION	400 x 240
HARDWARE	
KEYPAD	(11) Raised silicone keypads, tactile feedback (1) Rotary switch, power on/off (1) Push-switch (red), engine stop
LEDs	Green (mode), Yellow (warning) and Red (shutdown)
MATING CONNECTORS	21 Position, Deutsch HDP26-24-21SE, 31 Position, Deutsch HDP26-24-31SE
ELECTRICAL	
OPERATING VOLTAGE	8-32 VDC, reverse battery polarity and load dump protected
TOTAL CURRENT CONSUMPTION	Power on in stopped state; 117 mA at 12 VDC Power on in standby mode; 52 mA at 12 VDC
INPUTS	(5) Digital, configurable (active on High, Low, Open) (3) Analog, configurable (4-20 mA, 0-5V, resistive or digital ground) (1) Frequency, supporting: Magnetic pickup (30 Hz - 10 kHz, 2.0 VAC-120 VAC) and Engine Alternator (30 Hz - 10 kHz, 4.5 VRMS - 90 VRMS)
OUTPUTS	(2) Relay, switched +DC, 10A (1) Relay, Form C (dry / volt-free), 10A (2) Low-side FET (-DC), 1A (2) High-side FET (+DC), 1A (1) Dedicated Alternator Excitation, +DC, 1A

COMMUNICATION	
CAN	(1) CAN 2.0B, J1939
SERIAL	RS485, (MODBUS RTU)
USB	Programming
ENVIRONMENTAL	
OPERATING TEMPERATURE	-40° to +85° C (-40° to 185° F)
STORAGE TEMPERATURE	-40 to +85° C (-40° to 185° F)
PROTECTION	IP67
VIBRATION	7.86 Grms (5-2000 Hz), 3-axis random
SHOCK	±50G, 3-axis
CASE	Polycarbonate
DIMENSIONS	Width: 9.59 in. (243.48 mm) Height: 7.34 in. (186.5 mm) Depth: 5.20 in. (132.23 mm)

⚠ WARNING: This product can expose you to chemicals including lead, which is known to the State of California to cause cancer. For more information, go to www.P65Warnings.ca.gov

FOR MODEL & PART INFORMATION

ENOVATIONCONTROLS.COM/TEC-10

FOR MANUAL & SUPPORT DOCUMENTS

SUPPORT.ENOVATIONCONTROLS.COM

FOR SUPPORT & WARRANTY

ENOVATIONCONTROLS.COM/SUPPORT

SALES CONTACT

ENOVATION
CONTROLS[®]
A HELIOS TECHNOLOGIES COMPANY

CONTACT

✉ sales@novationcontrols.com
☎ +1 918.317.4100
www.novationcontrols.com

CORPORATE HEADQUARTERS

5311 S 122nd E Ave
Tulsa, Oklahoma, USA 74146
United States • United Kingdom • India • China



FM 28221 (Tulsa, OK-USA)
FM 29422 (UK)