

Operates with 12VDC or 24VDC systems

Three Configurable Levels of Passcode Protection

Flexible Input Sensor Types For the Analog Inputs

Analog Inputs Can Be Used as Digital Ground Inputs



POWERFUL, CONFIGURABLE CONTROLLER FOR MECHANICAL AND ELECTRONIC ENGINES

The PowerCore® MPC-10 Controller is an all-purpose manual/auto-start and manual/auto-throttling engine controller designed with rental applications in mind. This powerful controller is targeted for engine-driven pumps and irrigation, with the versatility to work in most engine-driven applications.

The MPC-10 supports J1939 CAN protocols for electronically governed engines as well as I/O for mechanical engines for fault and safety shutdowns.

The MPC-10 also provides three levels of menu security which can easily be set with the free PC configuration tool.

AVAILABLE AS A PANEL SOLUTION



Murphy's ML1000 control panel incorporates all the power and functionality of the PowerCore® MPC-10 in a panel solution for most any engine-driven application.

FOR MORE INFORMATION ABOUT ML1000, VISIT:
ENOVATIONCONTROLS.COM/ML1000

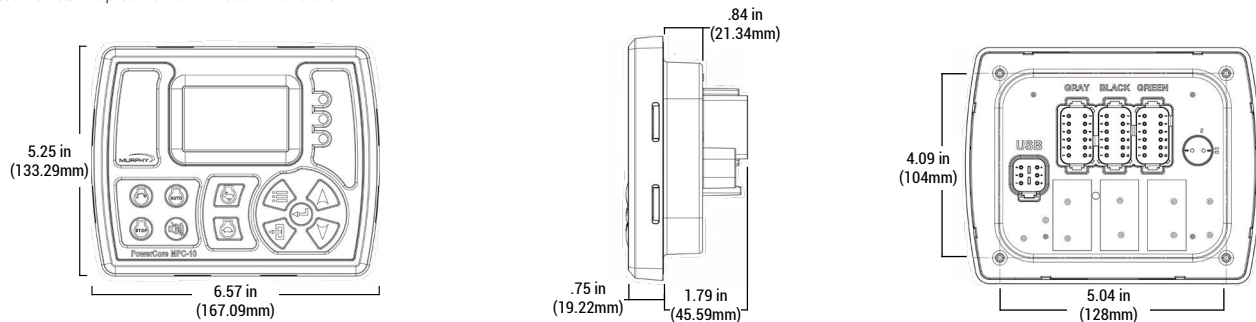


PowerCore[®] MPC-10

1511730
06-2019

MPC-10 DIMENSIONS

Please visit our Help Center for ML1000 dimensions



MPC-10 SPECIFICATIONS

DISPLAY	
SCREEN SIZE	2.7 inches
TYPE	WQVGA Monochrome HR-TFT
RESOLUTION	400 x 240
HARDWARE	
KEYPAD	11 tactile feedback buttons
LEDs	(3) Red Shutdown, Amber Warning, Green Auto Mode or Running Loaded State
MATING CONNECTORS	Deutsch W12S-P012 locking wedges Gray DT06-12SA-P012 Black DT06-12SB-P012 Green DT06-12SC-P012
COMMUNICATION	
CAN	(1) CAN 2.0B, J1939
SERIAL	RS485, (MODBUS) RTU
USB	2.0B for Programming
ELECTRICAL	
OPERATING VOLTAGE	8-32 VDC, reverse battery polarity and load dump protected
TOTAL CURRENT CONSUMPTION	Power on in stopped state: 117 mA at 12 VDC Power on in standby mode: 52 mA at 12 VDC
CRANKING POWER HOLDUP	0 VDC up to 50mS

INPUTS	(5) Digital, configurable (high/low) (3) Analog, configurable (Resistive 4-20mA, 0-5V, or Digital Low) (1) Frequency, supporting Magnetic pickup (30Hz - 10kHz, 2.0VAC-120VAC) and Engine Alternator (30Hz - 10kHz, 4.5 VRMS - 90 VRMS)
OUTPUTS	(3) Relays: 10A, SPDT, Form C (30 VDC @ 10A max.), 30A max aggregate @ 85C (2) Low-side (1A) (2) High-side (1A) (1) Dedicated Alternator Excite (provides Charge Fail Fault if unable to excite alternator)
ENVIRONMENTAL	
OPERATING TEMPERATURE	-40°C to +85°C (-40°F to 185°F)
STORAGE TEMPERATURE	-40°C to +85°C (-40°F to 185°F)
PROTECTION	IP67 and IP69K front and back, IP66 panel seal with accessory gasket
VIBRATION	Random, 7.86 Grms (5-2000Hz), 3 axes (X,Y,Z)
SHOCK	±50G in 3 axes (X,Y,Z)
EMC/EMI	SAE J1113
CASE	Polycarbonate/ABS
DIMENSIONS	Width: 6.57 in. (167 mm) Height: 5.25 in. (133 mm) Depth: 2.55 in. (64 mm)

⚠ WARNING: This product can expose you to chemicals including lead, which is known to the State of California to cause cancer. For more information, go to www.P65Warnings.ca.gov

ML1000 SPECIFICATIONS

HARDWARE	
CONNECTORS	21-way & 31-way Deutsch HDP26-24 series

FOR MODEL & PART INFORMATION

ENOVATIONCONTROLS.COM/MPC-10 &
ENOVATIONCONTROLS.COM/ML1000

FOR MANUAL & SUPPORT DOCUMENTS

SUPPORT.ENOVATIONCONTROLS.COM

FOR SUPPORT & WARRANTY

ENOVATIONCONTROLS.COM/SUPPORT

SALES CONTACT



CONTACT

✉ sales@novationcontrols.com
☎ +1 918.317.4100
www.novationcontrols.com

CORPORATE HEADQUARTERS

5311 S 122nd E Ave
Tulsa, Oklahoma, USA 74146
United States • United Kingdom • India • China



FM 28221 (Tulsa, OK-USA)
FM 29422 (UK)