



High Country Tek by Enovation Controls

Open-loop Saver Valve Controller MVP-SVR

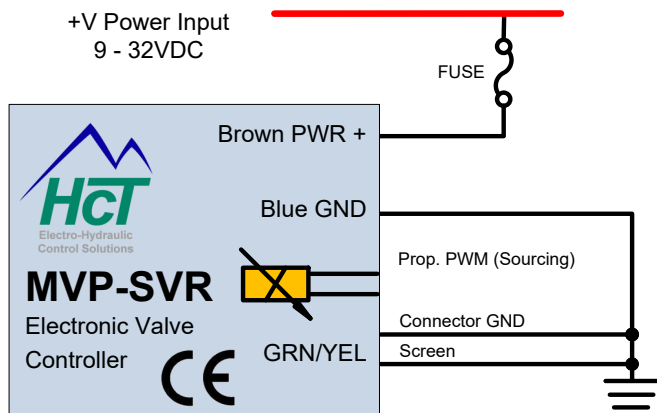
Electronic Controller Solutions for Mobile, Industrial & Marine Applications

Product Feature Overview

- Permanently sealed, standard DIN 43650 Form A connector body with pre-wired 18AWG PVC cable
- All input and output limits are independently adjustable
- Multiple modes for open loop, closed loop and inverted
- Single coil, programmable enable input
- Output short circuit protection and open circuit alert
- Diagnostic LED's with system "status" blink code indication
- PC based Graphical User Interface (GUI) for system configuration
- Infrared HCT Hand Held Interface for system configuration



Basic Connection Diagram

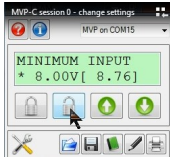


MVP-SVR Wiring	
Terminal	Function
Brown	PWR
Blue	PWR GND
GRN/YEL	Connector GND

Controller Specification Overview

Housing Type	HCT custom DIN enclosure
Power Supp. Voltage	9 to 32VDC (<i>Absolute Maximum</i>)
Current Consumption	Load current + 20mA Quiescent (<i>Max</i>)
Outputs	06A: 600mA max 12A: 1.2A max 25A: 2.5A max
Module Connector	DIN 43650 Form A connector body
Communication	Infra-red Communication
Housing Material	33% glass reinforced, heat stabilized, black polyamide 66
Temperature Range	-40 to +85°C (<i>Operational</i>) -60 to +90°C (<i>Storage</i>)
NEMA/IP Rating	NEMA 4 / IP67

Accessories



Graphical User Interface

Free PC set-up software. Download at <http://support.enovationcontrols.com>



Comm. Cable

Infrared Hand Held Interface for Device
Part #: CBL-IRA



Comm. Cable

Infrared Hand Held Interface for PC
Part #: CBL-IRMU

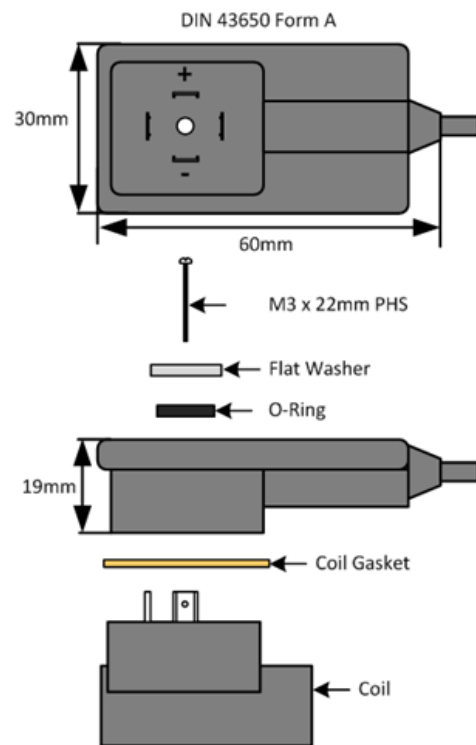
Order Information

Dimensions

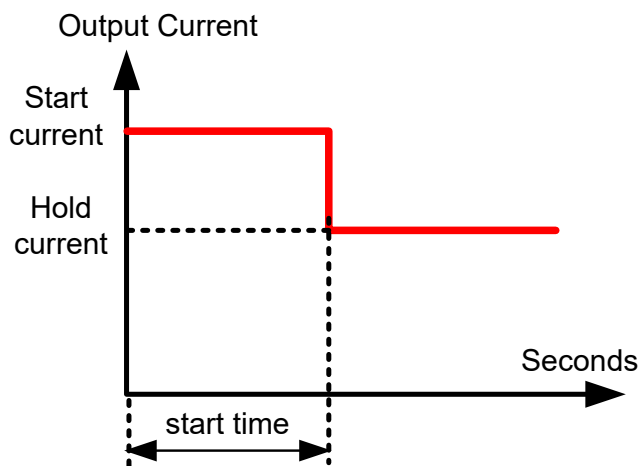
MVP-SVR-06A-10F

10F = 10ft cable
20F & 30F standards

06A = 600mA output
25A = 2500mA output



Application Examples



MVP-SVR



High Country Tek
by **Enovation Controls**
5311 S 122nd East Ave.
Tulsa, OK 74146
Tel: +1 (918) 317-4100
sales@enovationcontrols.com