



# High Country Tek by Enovation Controls

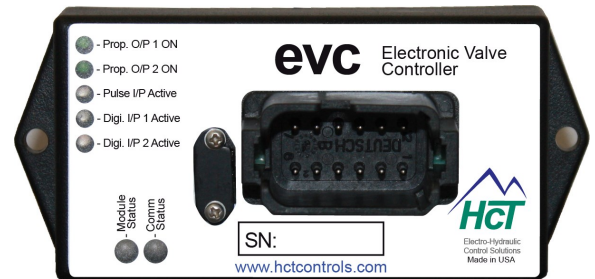
## Electronic Valve Controller **evc**

Multi-Function SAE J1939 Compatible Module

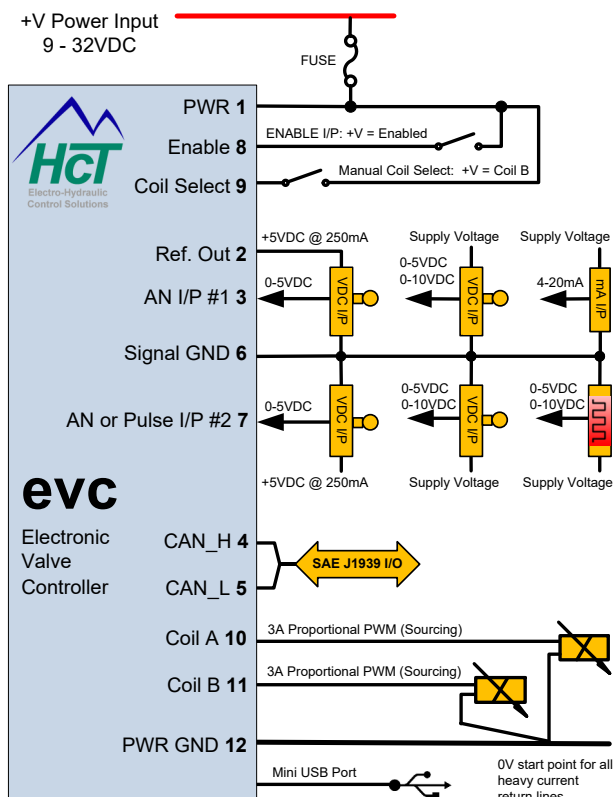
Electronic Control Solutions for the Global Fluid Power Industry

### Application Information

- Controls 2x proportional pressure / flow / directional valves
- Multiple open and closed loop mode options
- SAE J1939 expansion 'Node' and/or system compatibility
- SAE J1455 (load dump) compliant power protection
- Windows™ software user interface for configuration
- System "Status" LED with blink code & data logging
- Mini USB connection to PC for set-up/diagnostics



### Electrical Connection Diagram



### Controller Specification

<b>Housing Type</b>	HCT encapsulated block
<b>Power Supply Voltage</b>	9 to 32VDC ( <i>Absolute maximum</i> )
<b>Current Consumption</b>	Valve current + 50mA Quiescent ( <i>Max</i> )
<b>Command Inputs</b>	<b>SAE J1939</b> 2x switched inputs ( <i>ON/Off</i> ) 2x analog inputs One with (0-5V, 0-10V, 4-20mA) One with (0-5V, 0-10V, Pulse or Freq. - 3 to 30KHz)
<b>Input Impedance</b>	Voltage & Freq. inputs = 100kΩ 4-20mA input = 100Ω
<b>Outputs</b>	2x 3A proportional PWM ( <i>Sourcing</i> ) ( <i>Short circuit protection and open circuit alert</i> ) 1x 5VDC ±10% ( <i>Regulated voltage @ 250mA</i> )
<b>PWM Dither Freq.</b>	Software adjustable - 33 to 500Hz
<b>Module Connector</b>	DTF15-12PB, 12-way Male
<b>Communication</b>	Mini-B USB standard
<b>Housing Material</b>	Black, Polycarbonate
<b>Encapsulation</b>	Flameproof epoxy resin
<b>Mounting</b>	2x No.8 (5mm) screws
<b>Temperature Range</b>	-40 to +85°C ( <i>Operational</i> ) -60 to +90°C ( <i>Storage</i> )
<b>NEMA/IP Rating</b>	NEMA 6P/IP67, 69K

## Accessories



### PC Setup Software

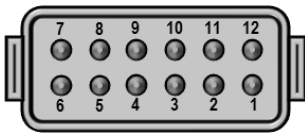
- System diagnostics
- Data logging feature
- Download for free at <http://support.enovationcontrols.com>

### Connectors / Cables

- 999-10156 Prototype harness
- 999-10155 Mating connector kit

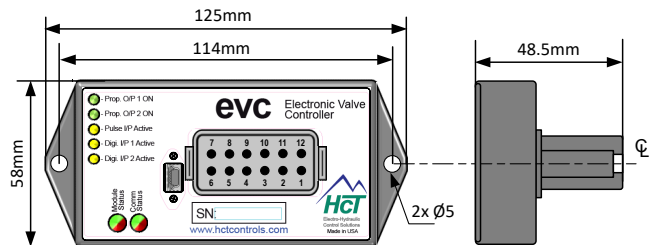
## Connector Details

View of 12 way male module connector **DTF15-12PB**



- Pin 1 +Vin, 9 to 32VDC power supply input
- Pin 2 +5VDC @ 250mA regulated voltage output
- Pin 3 Command input (0-5V, 0-10V, 4-20mA)
- Pin 4 CAN\_HI (SAE J1939)
- Pin 5 CAN\_LO (SAE J1939)
- Pin 6 0V - Signal GND
- Pin 7 Pulse input or analog input 2
- Pin 8 Controller enable input (high = enable)
- Pin 9 Manual selection of coil A or B
- Pin 10 Coil A proportional PWM output + (3A, sourcing)
- Pin 11 Coil B proportional PWM output + (3A, sourcing)
- Pin 12 0V - Power GND

## Dimensions



### Notes:

- Controller weight is approx. 200g
- Mount to flat, cool surface.
- Use BOTH mounting lugs for security