



MURPHY[®]
by **ENOVATION CONTROLS**

POWERSVIEW[®]
780B

MORE POWER AND MEMORY FOR ENHANCED USER EXPERIENCE

Features a new faster processor with video playback abilities

Offers 8 GB Flash Memory

CAN-based display with rich, full-color graphics

Bonded glare-free LCD screen for superior visibility, even in sunlight



The new PV780B delivers bright, vivid graphics on a 7-inch display with a high-speed processor and provides the same rugged reliability customers have come to expect out of the PowerView family of HMI products.

Available with a touch screen designed for use with gloves and unmatched performance in the harshest conditions, the PV780B is the best-in-class choice for OEMs and integrators looking to give their operators the best equipment experience.

The full-featured, configurable display integrates vital engine, transmission and diagnostic information into an easy-to-read operator interface. The 1000-nit 7-inch screen can easily be viewed, even in full sunlight.

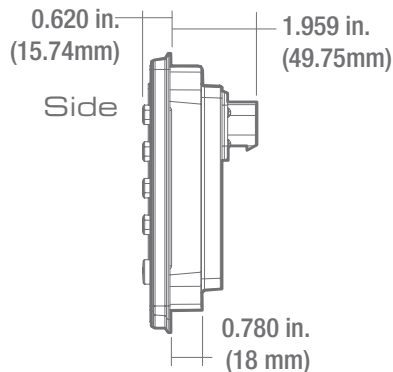
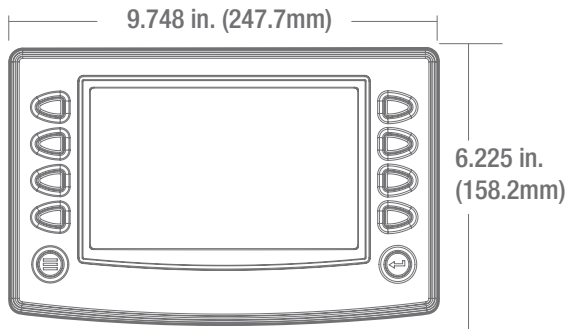
The display's bonded LCD and rugged design make it a perfect solution for all types of environments and applications.

Customization of the display is accomplished quickly via graphical programming or scripting with PowerVision Configuration Studio[®] software. This tool allows for quick creation of personalized user interfaces, custom parameters and specialized graphics for on-screen text, OEM branding and more.

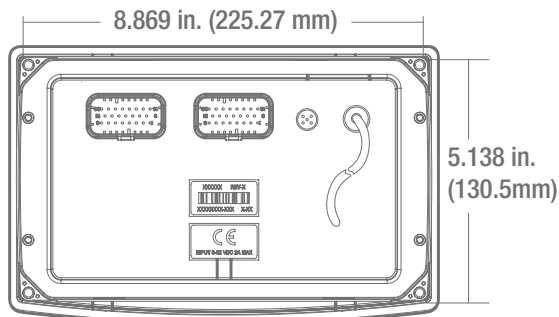
POWerview® 780B

DIMENSIONS

Front



Back



SPECIFICATIONS

COMPUTING:

- Main Processor: Renesas R-Car M2, 32 Bit Arm Cortex A15 Processor, 1.5 GHz, QNX® Realtime Operating System
- Storage: 8 GB Flash memory
- RAM: 512 MB DDR3-SDRAM
- Graphics: Renesas graphics processor

HARDWARE:

- Display: 7" (178mm) LVDS TFT LCD with LED backlight
- Color: 24-bit color
- Resolution: WVGA, 800 X 480 pixels
- Contrast Ratio: 600:1 (Typ.)
- Brightness: 1000 cd/m²
- Surface: Anti-glare
- Touch Panel: Projected capacitive (PCAP) with Glove touch
- Keypad: 10 tactile configurable soft keys with white LED backlight
- Real Time Clock: Available with battery backup
- Connectors: (2) Ampseal 23 pin
(1) M12 5 pin (for Ethernet)
(1) USB Pig tail
- Video input: 3 NTSC/PAL (Single channel viewable)

COMMUNICATION:

- CAN: (2) CAN 2.0B according to ISO-11898-2; J1939 and CANopen; proprietary
- Serial: (1) RS-485 serial (MODBUS: Master/Slave)
- USB: (1) USB 2.0 Full Speed Host
- Ethernet: 1 X Ethernet 10/100 Base-T (Optional)
- WiFi: 802.11 b/g radio (Optional)
- Bluetooth: Fully integrated Bluetooth 2.1 class 1 (Optional)

ELECTRICAL:

- Operating Voltage: 6 - 36 VDC, reverse polarity protected
- Outputs: (1) 500mA Switched Low-side
(1) Frequency Output (2Hz - 3KHz)
- Inputs: (3) Analog 0-5VDC, 4-20mA, Resistive, 10-bit resolution
(5) Discrete digital, active-high
(1) Frequency In (2Hz - 10kHz) 5Vpk-pk min, 49V pk-pk max

ENVIRONMENTAL:

- Operating Temperature: -40°C to +85°C [-40°F to +185°F]
- Storage Temperature: -40°C to +85°C [-40°F to +185°F]
- Protection: IP66 and IP67, front and back, for outdoor use
- Vibration: 7.86 Grms (5 - 2000Hz), 3 axes
- Shock: ±50G in 3 axes
- EMC/EMI: SAEJ1113, ISO13766, CE per 2014/30/EU

ENOVATION CONTROLS CORPORATE HEADQUARTERS
5311 S 122ND EAST AVENUE
TULSA, OK 74146

ENOVATION CONTROLS LTD. – UNITED KINGDOM
CHURCH ROAD LAVERSTOCK
SALISBURY SP1 1OZ UK

SUN MURPHY INTERNATIONAL TRADING (SHANGHAI) CO., LTD
B15 ROOM, 6# BUILDING, 351 SIZHUAN ROAD
SONGJIANG DISTRICT, SHANGHAI 201601, CHINA

ENOVATION CONTROLS INDIA PVT. LTD.
301, 3RD FLOOR, KRSNA CHAMBERS,
11 GALAXY GARDENS, NORTH MAIN ROAD,
KOREGAON PARK, PUNE 411001,
MAHARASHTRA, INDIA

U.S. SALES & SUPPORT

PHONE: 918 317 4100
EMAIL: SALES@ENOVATIONCONTROLS.COM
WWW.ENOVATIONCONTROLS.COM

MURPHY INDUSTRIAL PANEL DIVISION

PHONE: 918 317 4100
EMAIL: IPDSALES@ENOVATIONCONTROLS.COM

INTERNATIONAL SALES & SUPPORT

EUROPE, MIDDLE EAST, AFRICA
PHONE: +44 1722 410055
EMAIL: SALES@ENOVATIONCONTROLS.EU

CHINA
PHONE: +86 21 6237 5885
EMAIL: APSALES@ENOVATIONCONTROLS.COM

INDIA
PHONE: +91 91581 37633
EMAIL: INDIASALES@ENOVATIONCONTROLS.COM

